

**PUMP INFORMATION**

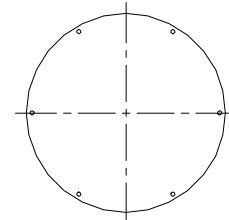
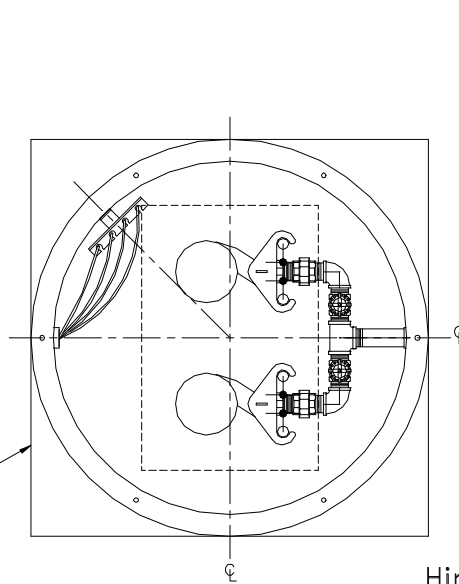
- Type:  Sump Pump(s)  
 Grinder Pump(s)  
 Non-Clog Pump(s)

Model NO: \_\_\_\_\_  
 Rating: \_\_\_\_\_ GPM \_\_\_\_\_ TDH  
 Motor: \_\_\_\_\_ HP \_\_\_\_\_ RPM  
 Elec: \_\_\_\_\_ PH \_\_\_\_\_ HZ \_\_\_\_\_ v  
 Elec: \_\_\_\_\_ FL AMPS

**DISCHARGE PIPE**

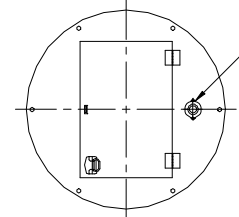
- 304 Stainless Steel  
 Sch40 Galvanized Steel  
 Sch80 PVC Pipe  
 1 1/4"  
 2"

- Anti-Floatation Flange  
 Fiberglass Encapsulated  
 ASTM A-36 Steel  
 Round Fiberglass  
 None



**Solid Cover**

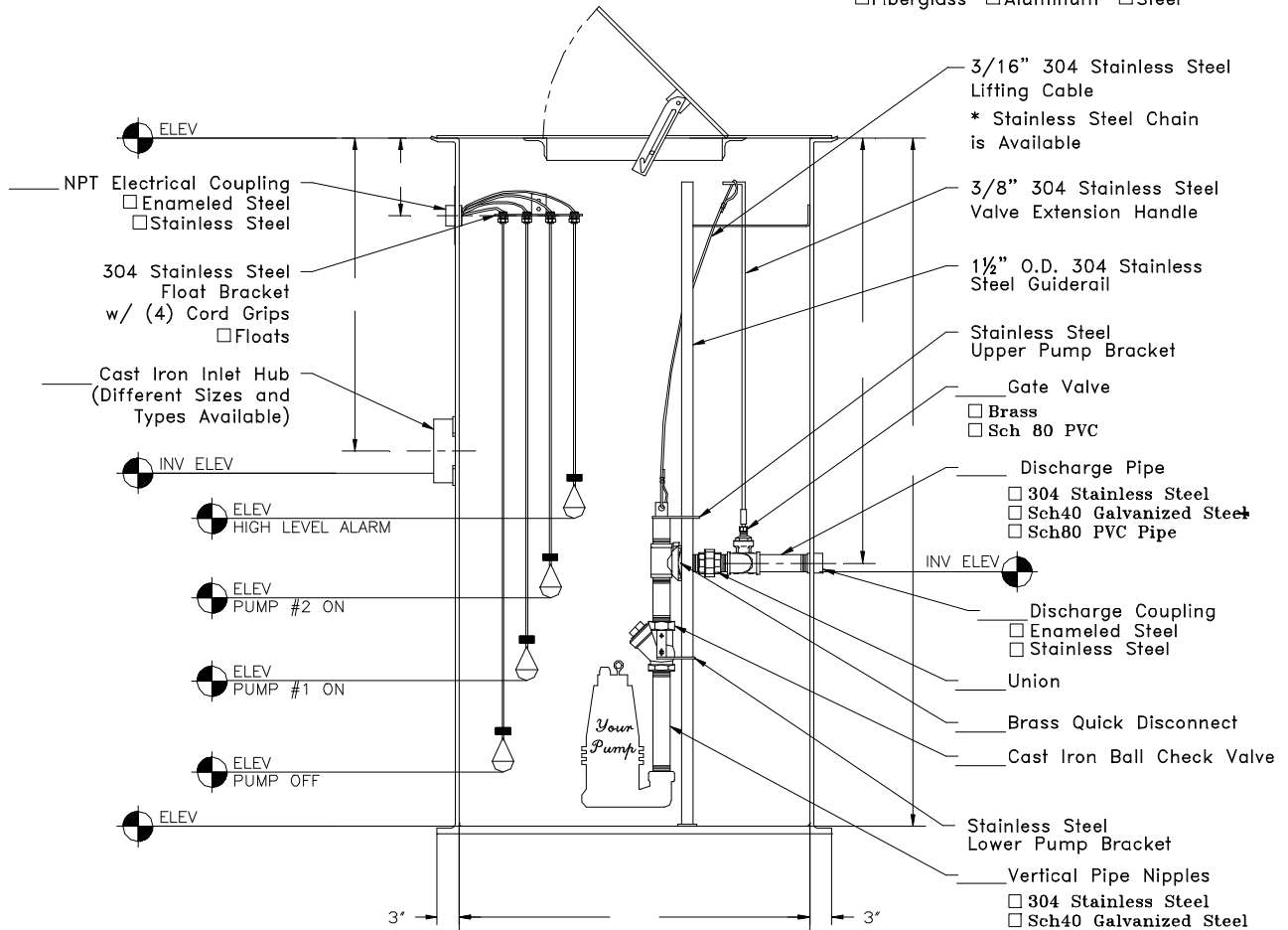
- Fiberglass  
 Steel



NPT Vent Flange

**Hinged and Lockable Cover**

- Fiberglass  Aluminum  Steel



Prefabricated Fiberglass Lift Station  
 Reference: Duplex SGR Standard Discharge

Scale: None  
 Drawn By: RM  
 App'd By: \_\_\_\_\_  
 Date: 05/30/03

This print is and contains confidential proprietary information owned exclusively by TOPP INDUSTRIES, INC. It is furnished on a strictly confidential basis. This restriction includes, but is not limited to the condition that this print will not only be used as a record or to identify or inspect parts or for other information purposes and will not be used to manufacture or procure the manufacture of the items shown in this print by any other source than TOPP INDUSTRIES, INC.

Highway 25 North P.O. Box 420  
 Rochester, IN 48975  
 Phone: 800/354-4534 Fax: 574/223-6108

Supersedes Prints  
 Prior To: 05/30/03

Reference No: 16839

**Revisions**

①	First Released.